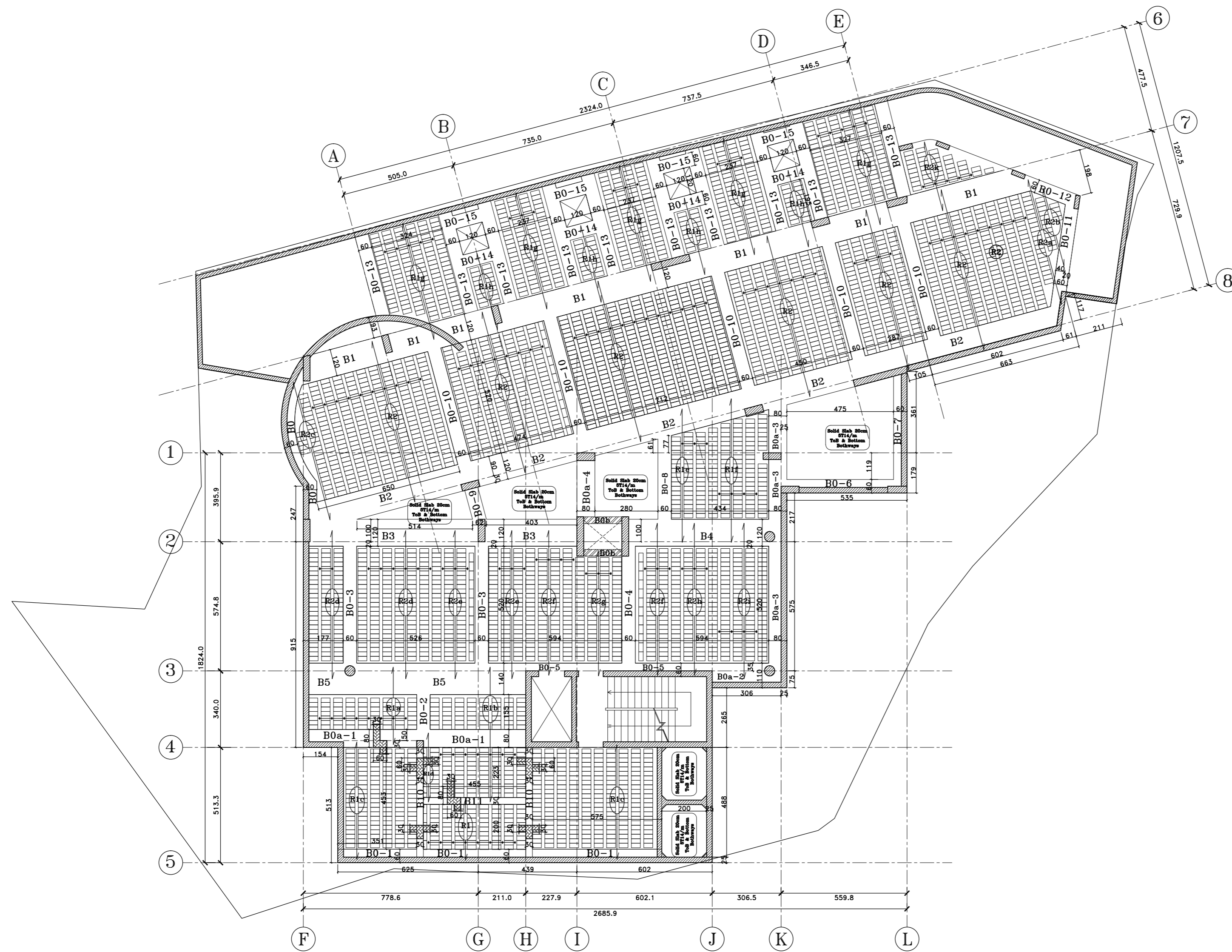
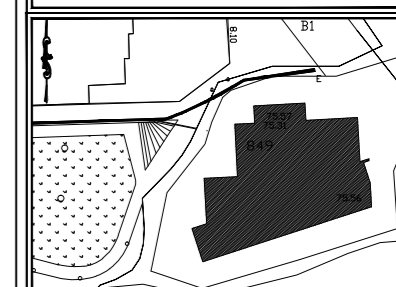


GROUND FLOOR FRAMING PLAN

SC 1/100



RAHMEH SCHOOL PROJECT



Consultant:
FAST & ASSOCIATES s.a.r.l.

MOBILE PHONE : + 961-(0)3-443141
TELEPHONE / FAX : + 961-(0)6-411621
+ 961-(0)6-412621
E-MAIL : info@fast-associates.com
c.fatfat@fast-associates.com

Structural designer:



Civil Engineer : Haytham Fouad Mawlawy
Tripoli-Maarad-Obeid Center-CR floor
Tel : 03-450733 Fax : 06-411621
e-mail : h.mawlawy@hotmail.com

Contractor



VERTEXGROUP.COM.CO
Tripoli-Maarad-MEA Bldg-10th floor
Tel : 06-205 504

NOTES

rev	description	drawn by	verified by	date

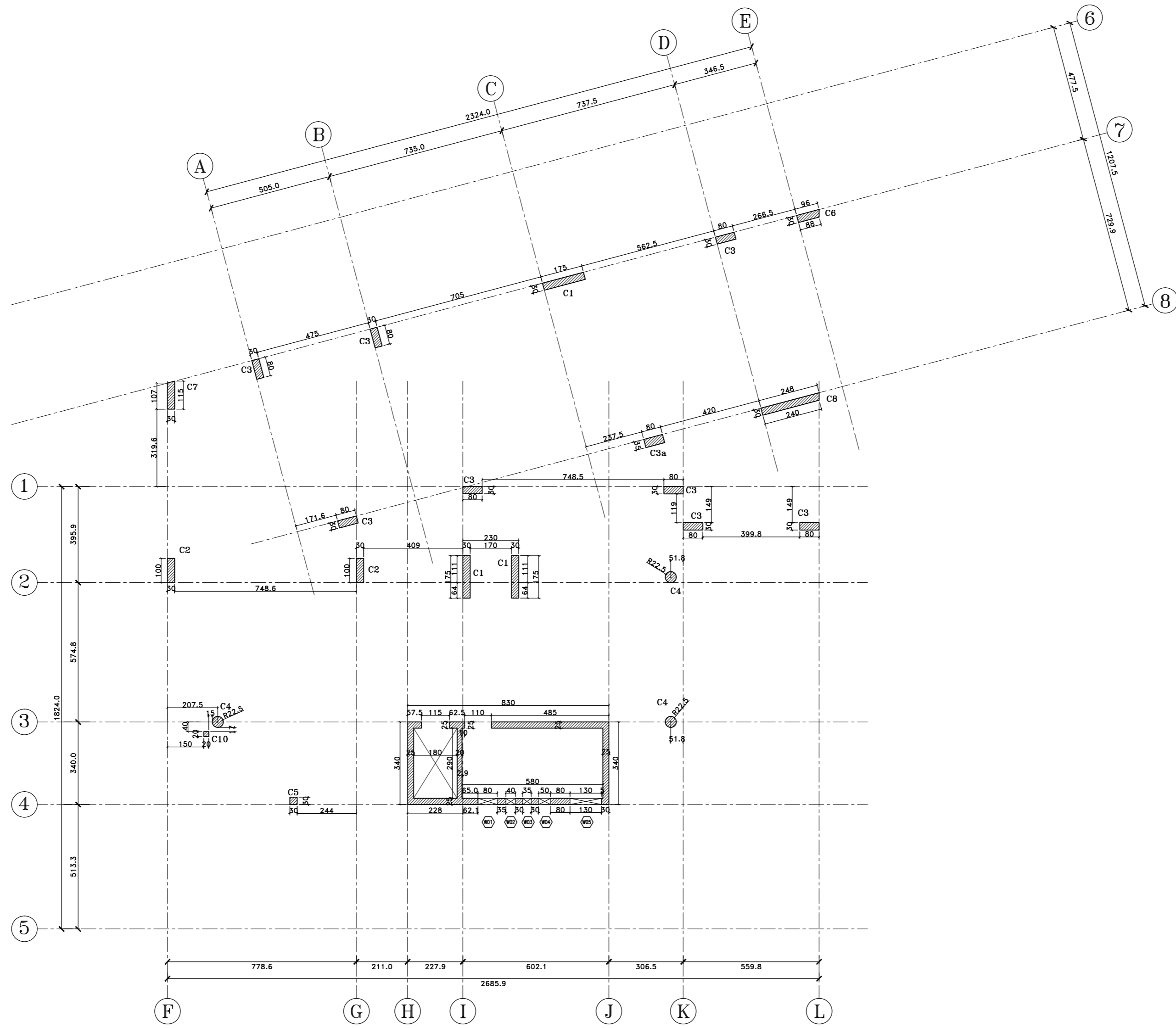
PROJECT:
RAHMEH SCHOOL BUILDING

PHASE: Shop Drawing
DRAWING NUMBER & TITLE: S202

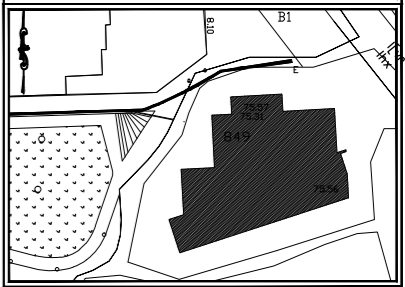
GROUND FLOOR FRAMING PLAN

Dwg. Reference:	Revision Number :
S-11	1
Format	Scale
A1	1/100
Revision Issue Date :	25-04-2012

GROUND FLOOR -COLUMNS & WALLS LAYOUT
SC 1/100



RAHMEH SCHOOL PROJECT



Consultant:
FAST & ASSOCIATES s.a.r.l.
MOBILE PHONE : + 961-(0)3-443141
TELEPHONE / FAX : + 961-(0)6-411621
+ 961-(0)6-412621
E-MAIL : info@fast-associates.com
c.fatfat@fast-associates.com

Structural designer:
MEC ENGINEERING
Civil Engineer : Haytham Fouad Mawlawy
Tripoli-Maarad-Obeid Center-CR floor
Tel : 03-450733 Fax : 06-411621
e-mail : h_mawlawy@hotmail.com

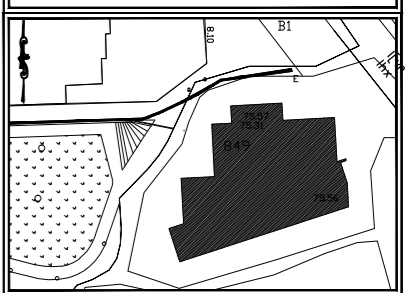
Contractor
vertex group
VERTEXGROUP.COM.CO
Tripoli-Maarad-MEA Bldg-10th floor
Tel : 06-205 504

NOTES

rev	description	drawn by	verified by	date

PROJECT:
RAHMEH SCHOOL BUILDING
PHASE: Shop Drawing
DRAWING NUMBER & TITLE: S202A
**GROUND FLOOR
COLUMNS & WALLS LAYOUT**
Dwg. Reference: S-07 Revision Number : 0
Format Scale Revision Issue Date :
A1 1/100 25-04-2012

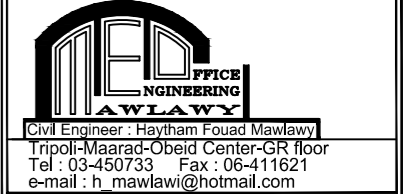
RAHMEH SCHOOL PROJECT



Consultant:
FAST & ASSOCIATES s.a.r.l.

MOBILE PHONE : + 961-(0)3-443141
TELEPHONE / FAX : + 961-(0)6-411621
+ 961-(0)6-412621
E-MAIL : info@fast-associates.com
c.fatfat@fast-associates.com

Structural designer:



Civil Engineer : Haytham Fouad Mawlawy
Tripoli-Maarad-Obeid Center-CR floor
Tel : 03-450733 Fax : 06-411621
e-mail : h.mawlawi@hotmail.com

Contractor



VERTEXGROUP.COM.CO
Tripoli-Maarad-MEA Bldg-10th floor
Tel : 06-205 504

NOTES

- 1- concrete cover for slab 2.5cm
- 2- compressive strength at 28days fc28=250kg/cm2
- 3- yield strength is 4200kg/cm2

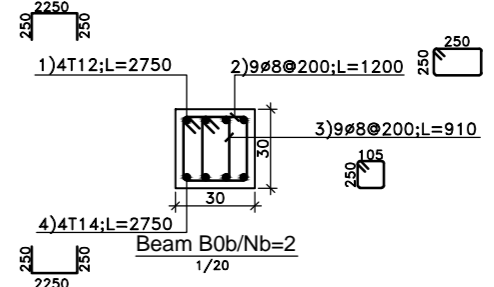
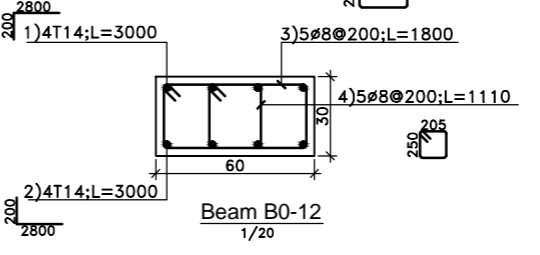
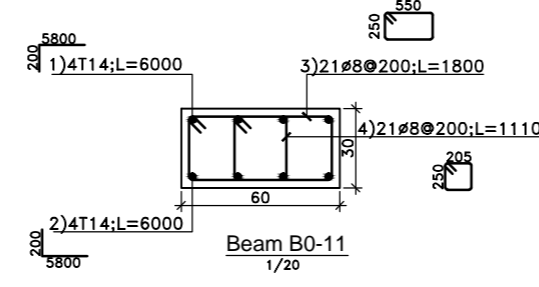
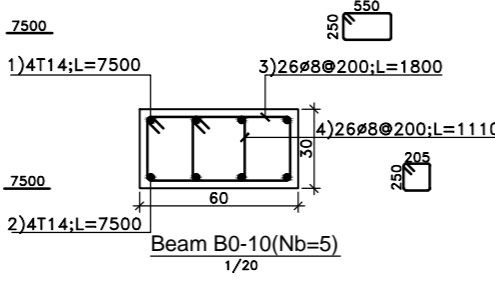
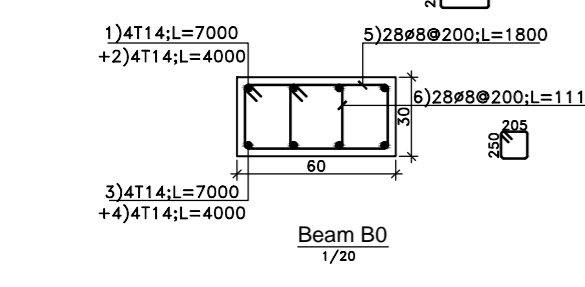
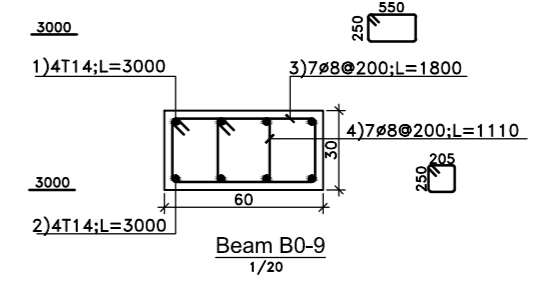
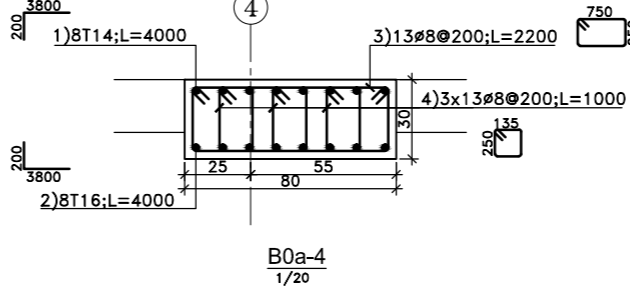
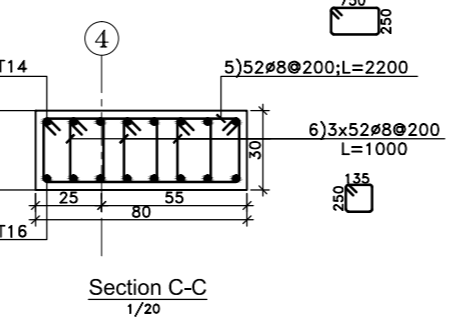
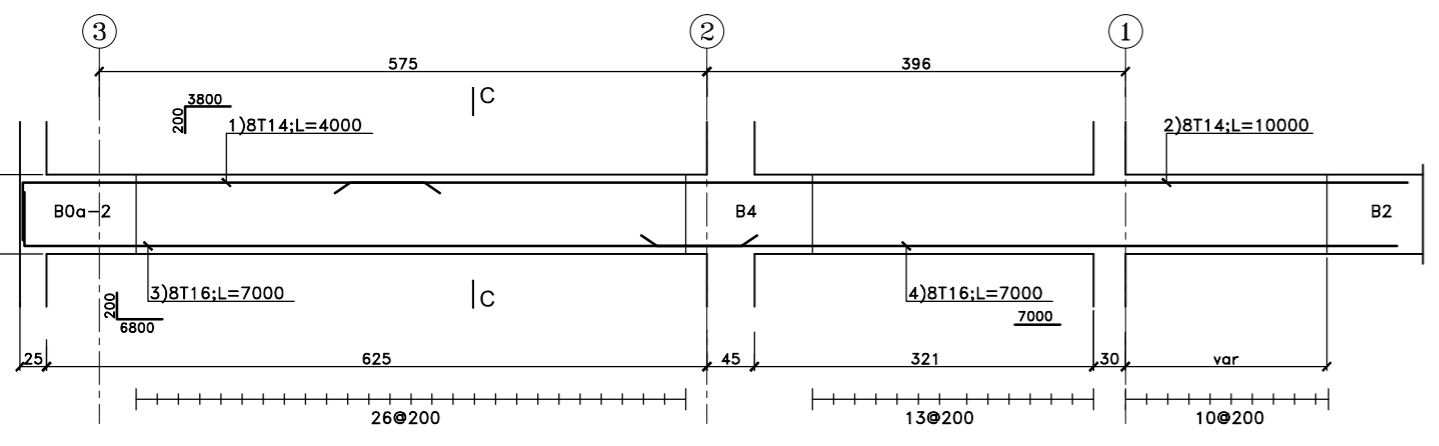
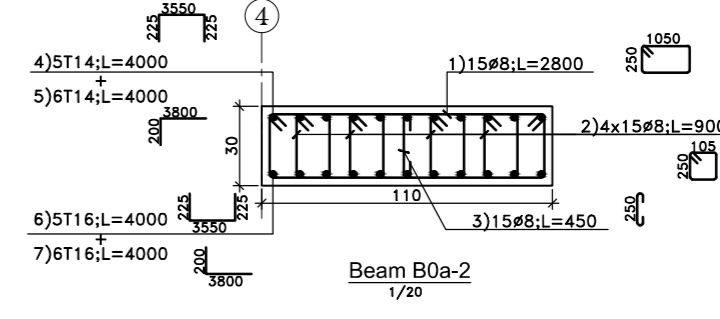
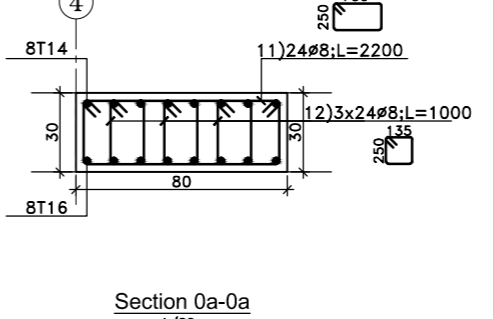
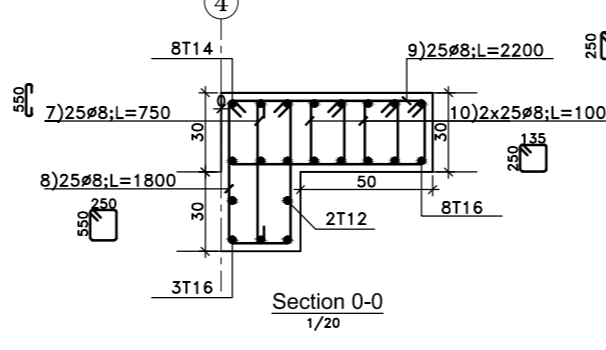
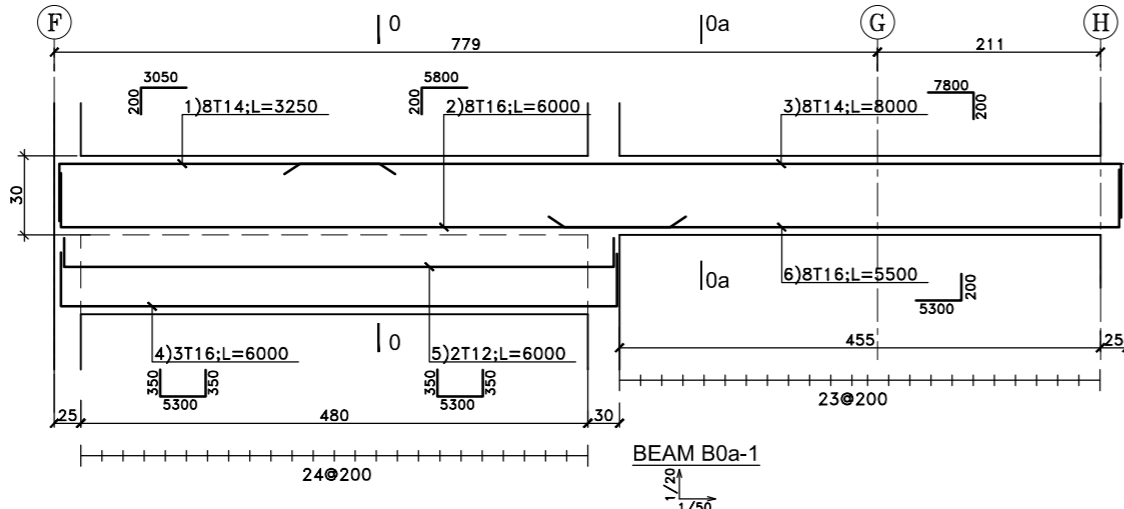
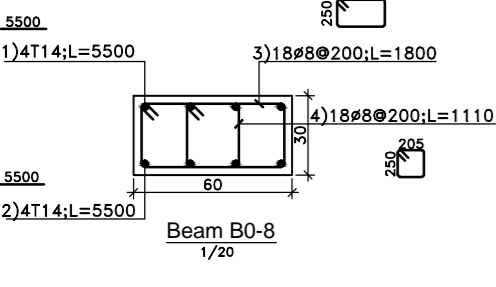
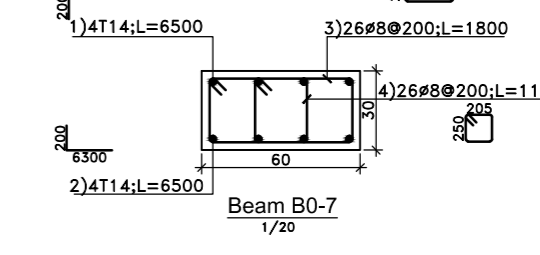
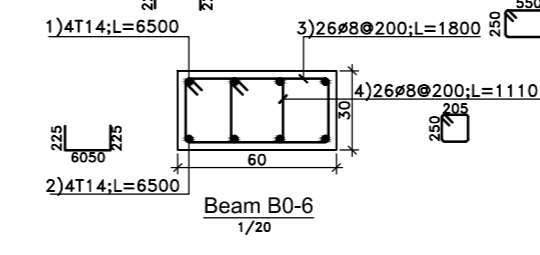
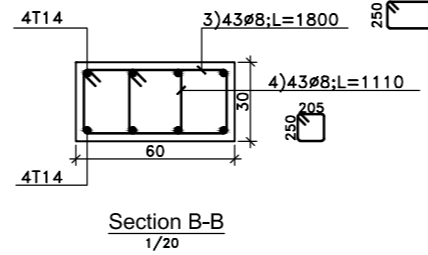
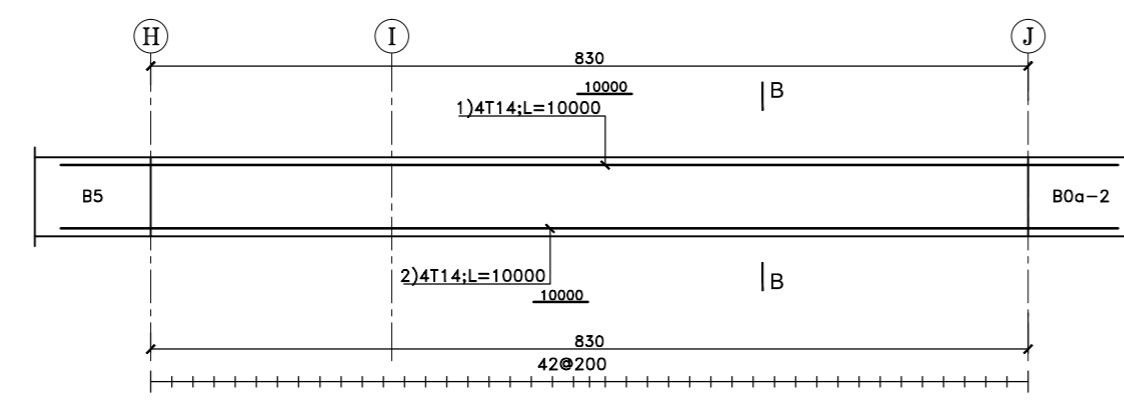
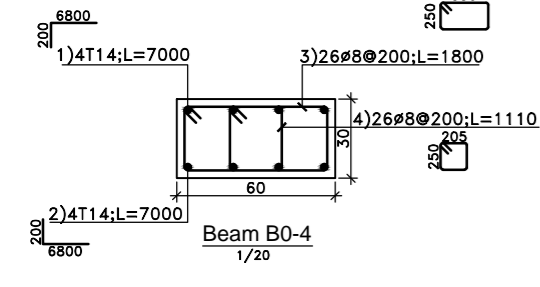
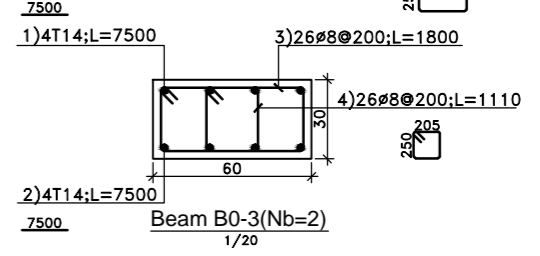
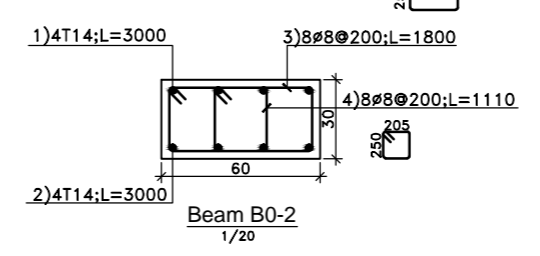
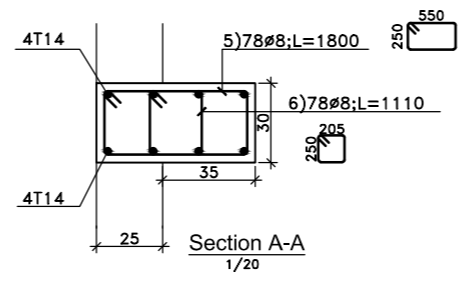
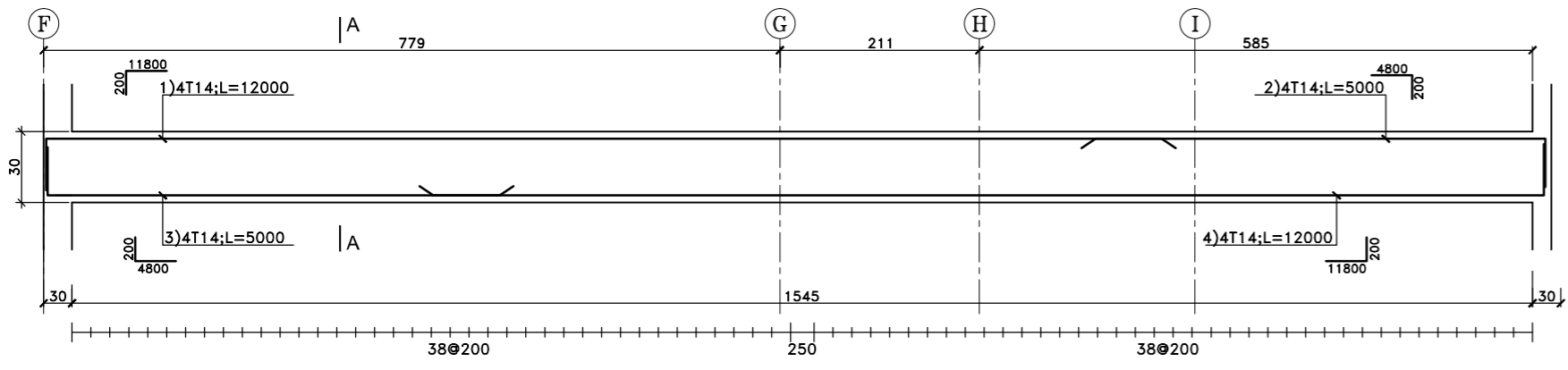
rev	description	drawn by	verified by	date

PROJECT:
RAHMEH SCHOOL BUILDING

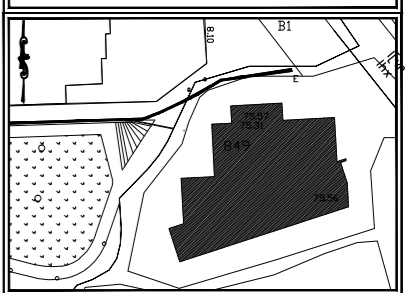
PHASE: Shop Drawing
DRAWING NUMBER & TITLE: S502-A

GROUND FLOOR SLAB BEAMS DETAILS


Dwg. Reference:	Revision Number :
Format :	Scale :
Scale :	Revision Issue Date :
A1	25-04-2012



RAHMEH SCHOOL PROJECT



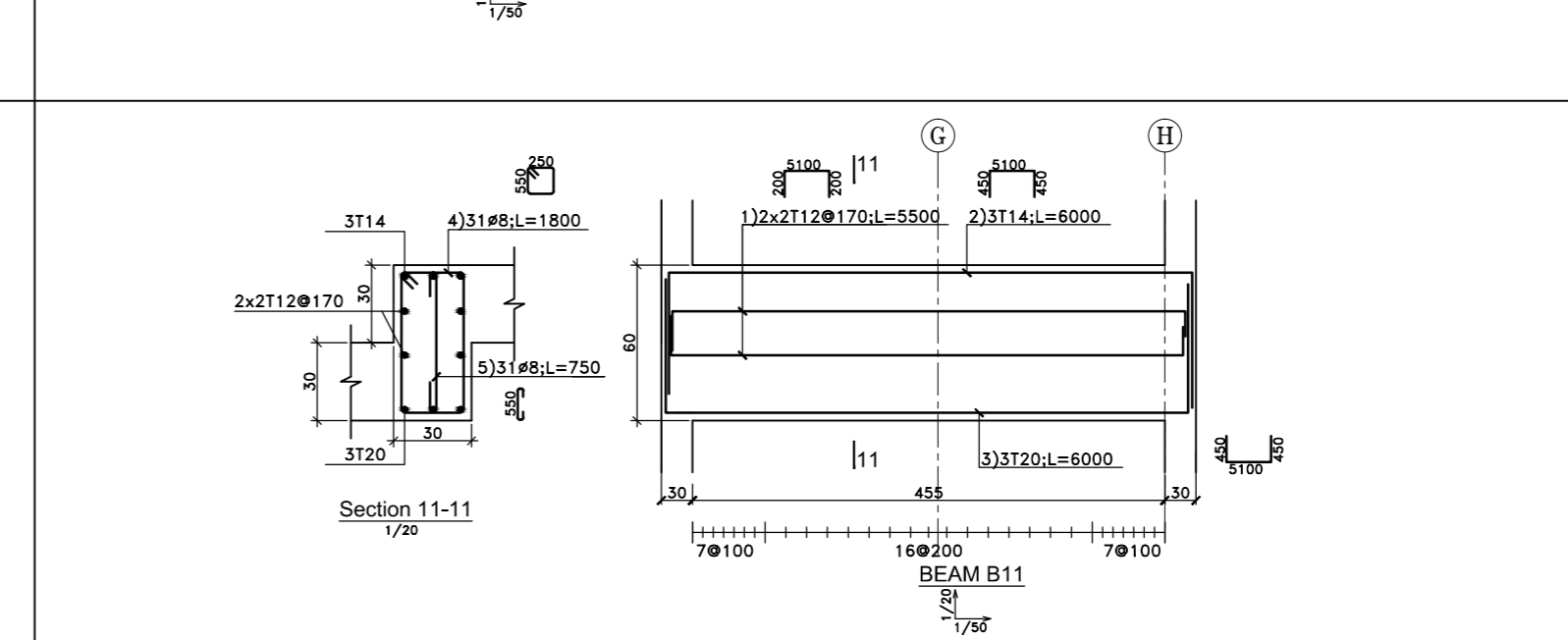
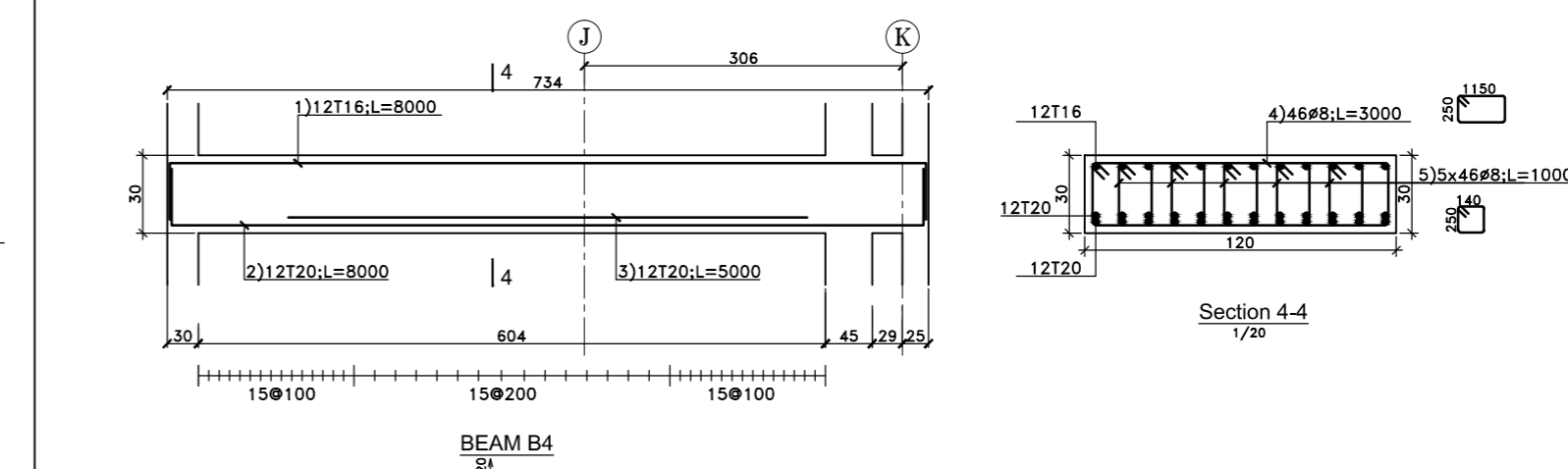
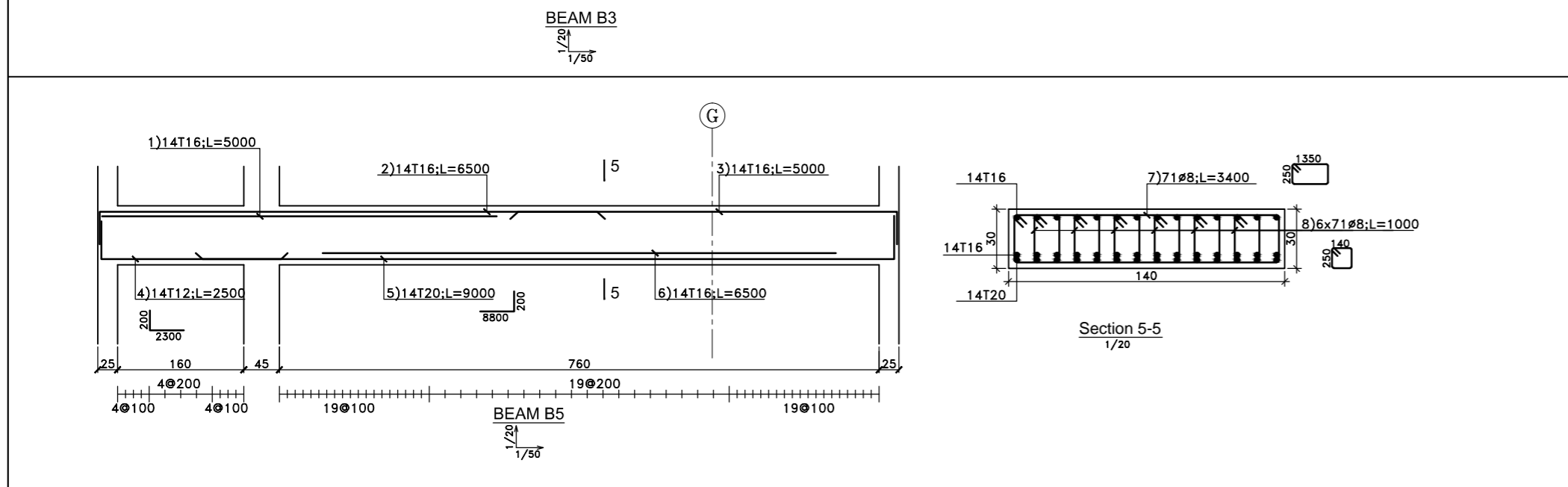
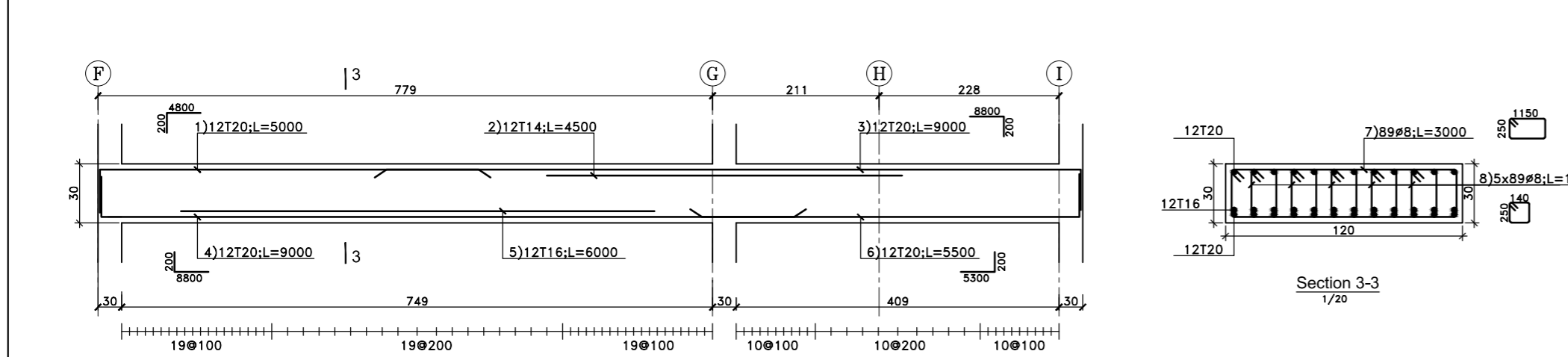
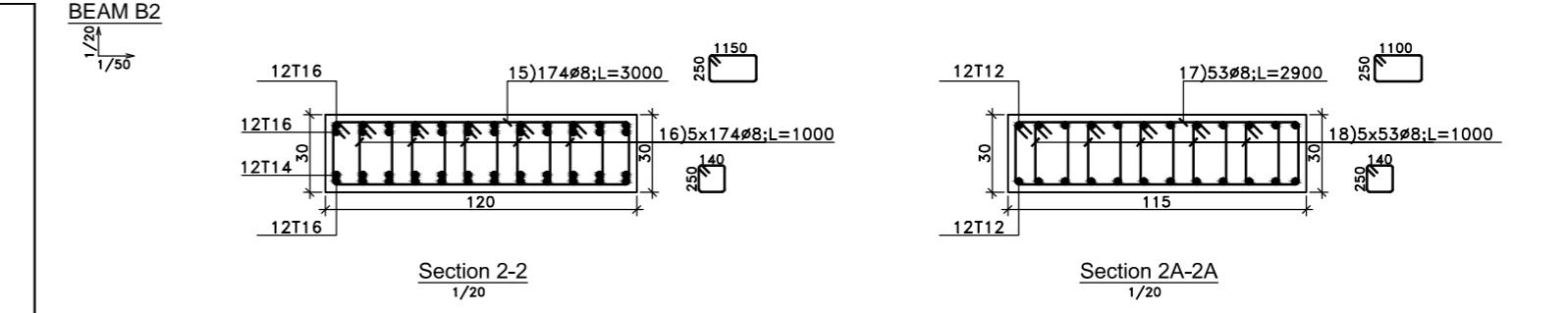
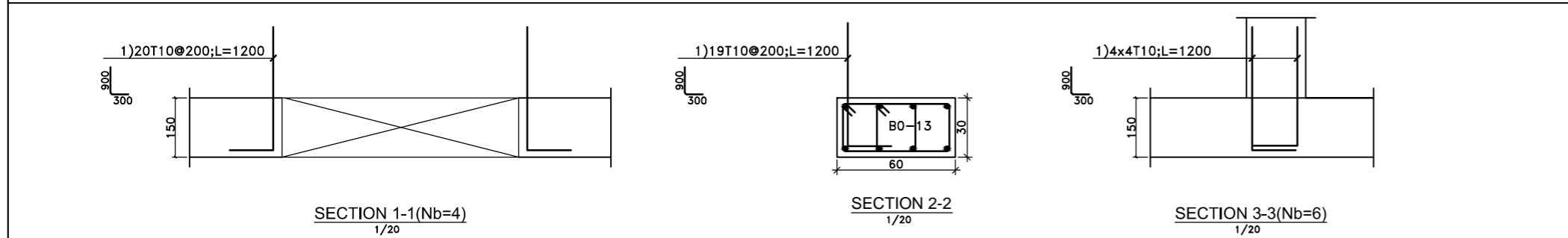
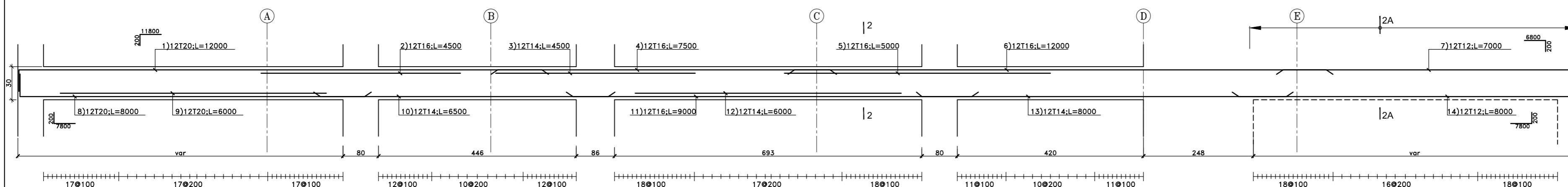
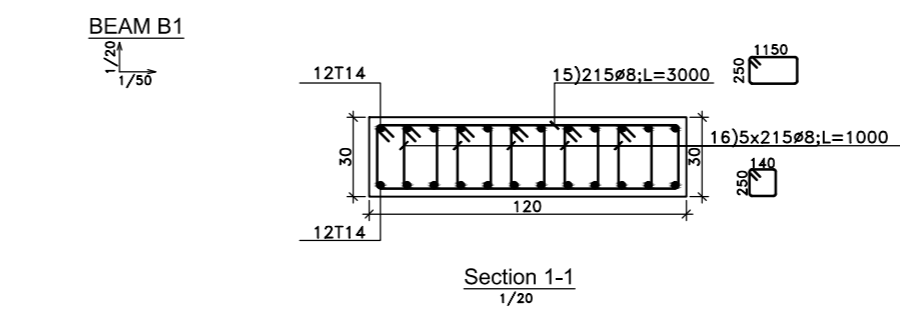
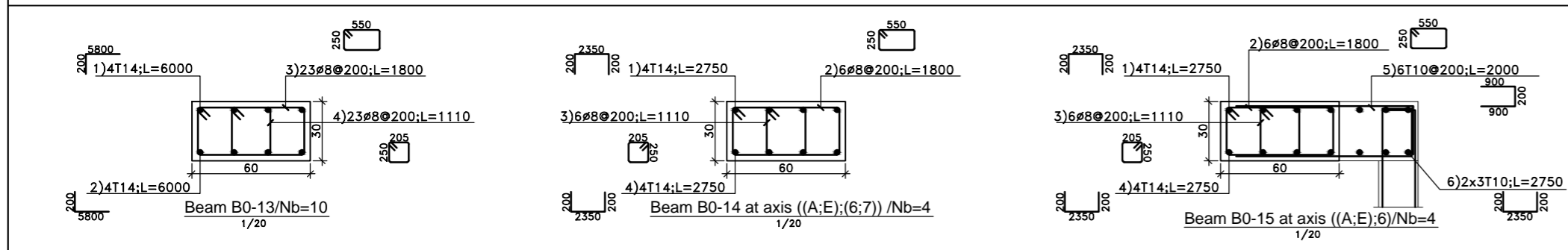
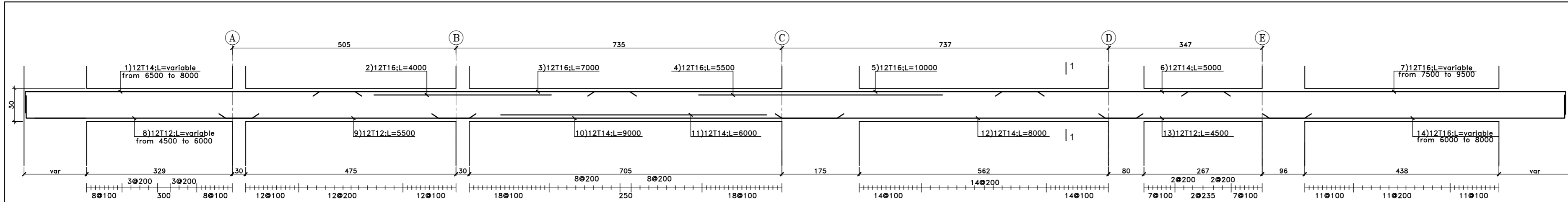
Consultant:
FAST & ASSOCIATES s.a.r.l.
 MOBILE PHONE : + 961-(0)3-443141
 TELEPHONE / FAX : + 961-(0)6-411621
 + 961-(0)6-412621
 E-MAIL : info@fast-associates.com
 c.fatfat@fast-associates.com

Structural designer:

 Civil Engineer : Haytham Fouad Mawlawy
 Tripoli-Maarad-Obeid Center-CR floor
 Tel : 03-450733 Fax : 06-411621
 e-mail : h.mawlawi@hotmail.com

Contractor

 VERTEXGROUP.COM.CO
 Tripoli-Maarad-MEA Bldg-10th floor
 Tel : 06-205 504

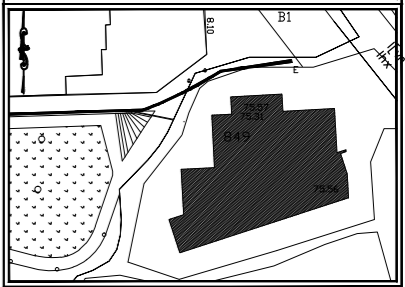
NOTES
 1- concrete cover for slab 2.5cm
 2- compressive strength at 28days
 fc28=250kg/cm2
 3- yield strength is 4200kg/cm2




rev	description	drawn by	verified by	date

PROJECT:
RAHMEH SCHOOL BUILDING
 PHASE: Shop Drawing
 DRAWING NUMBER & TITLE: S502-B
GROUND FLOOR SLAB BEAMS DETAILS
 Dwg. Reference: Revision Number : 1
 Format Scale Revision Issue Date :
 A1 - 25-04-2012

RAHMEH SCHOOL PROJECT



Consultant:
FAST & ASSOCIATES s.a.r.l.
 MOBILE PHONE : + 961-(0)3-443141
 TELEPHONE / FAX : + 961-(0)6-411621
 + 961-(0)6-412621
 E-MAIL : info@fast-associates.com
 : c.fatfat@fast-associates.com

Structural designer:

 Civil Engineer : Haytham Fouad Mawlawy
 Tripoli-Maarad-Obeid Center-CR floor
 Tel : 03-450733 Fax : 06-411621
 e-mail : h.mawlawi@hotmail.com

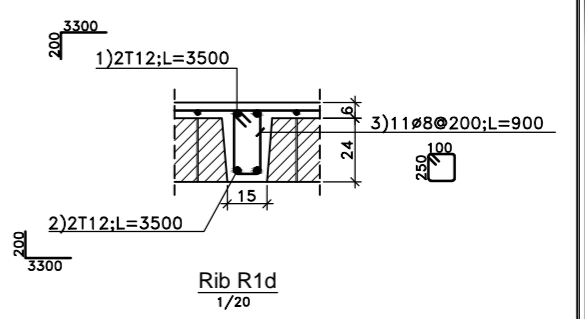
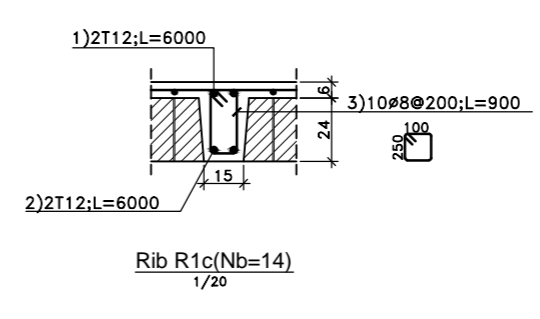
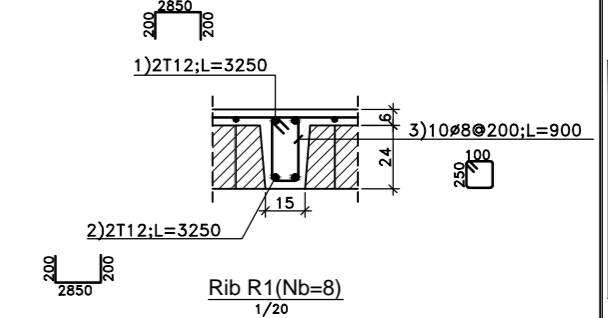
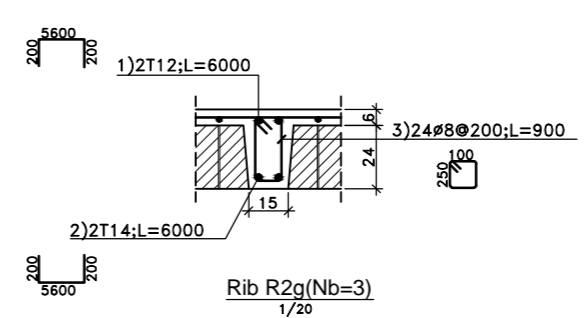
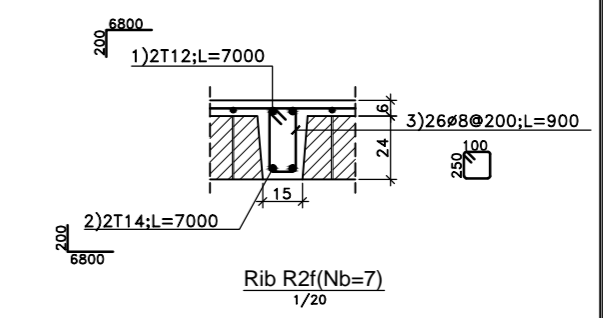
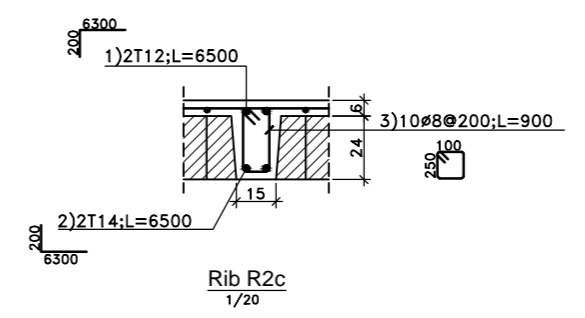
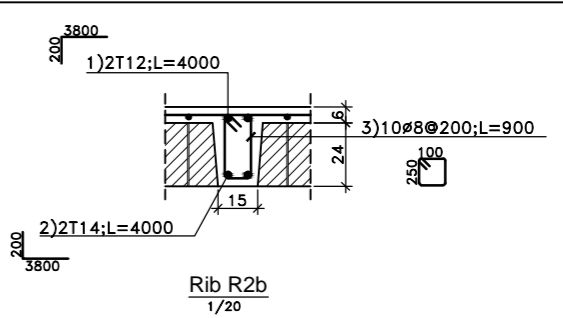
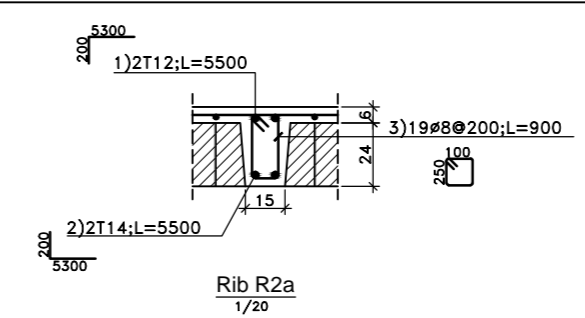
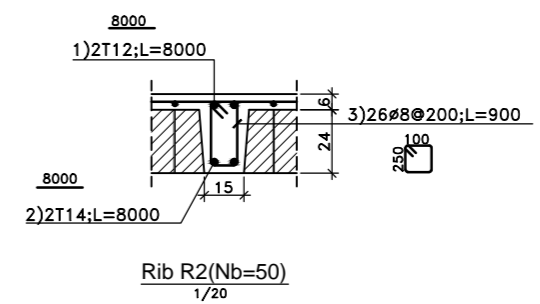
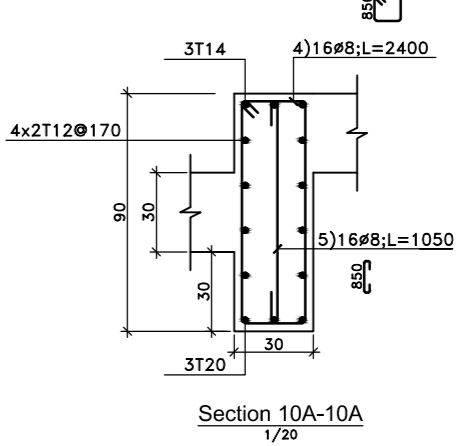
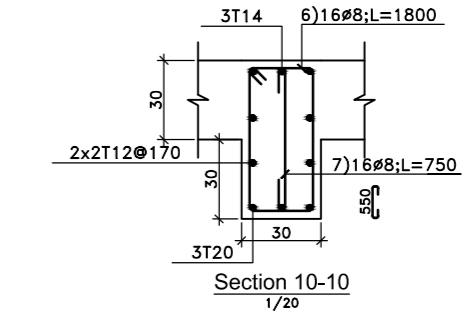
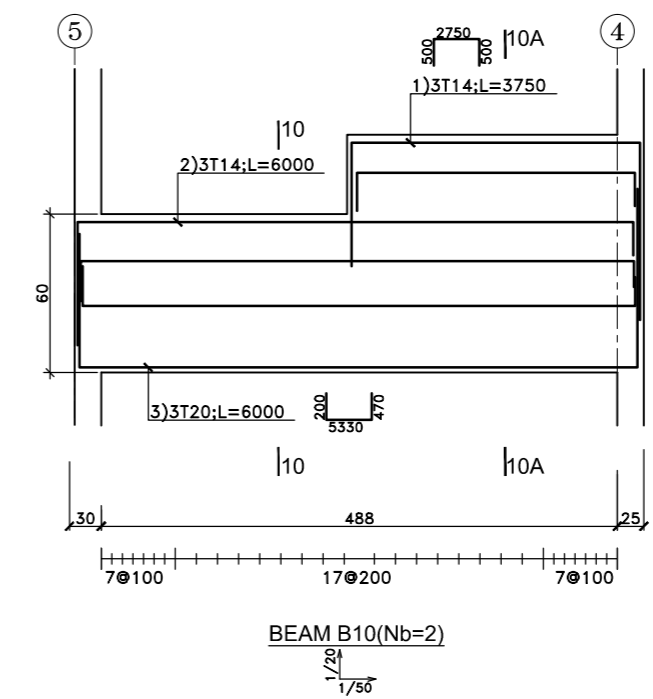
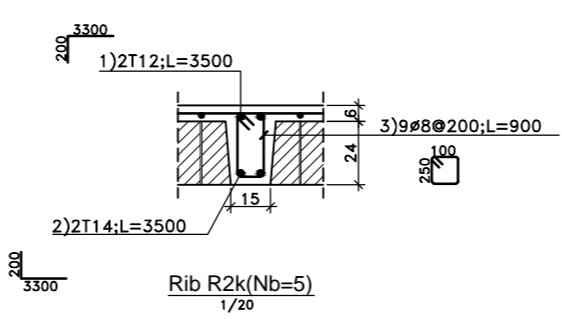
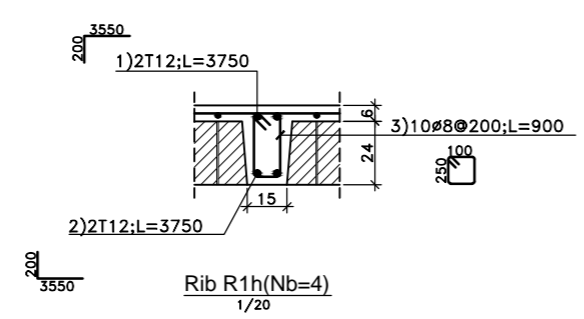
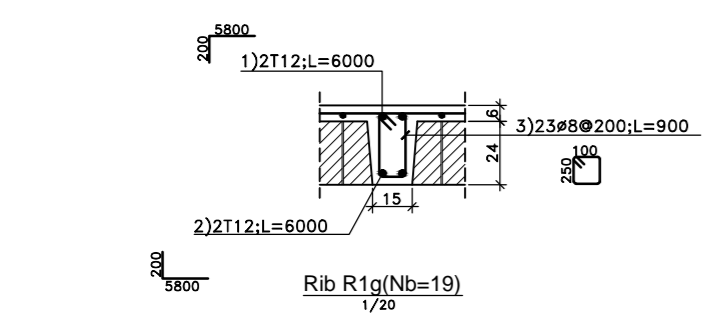
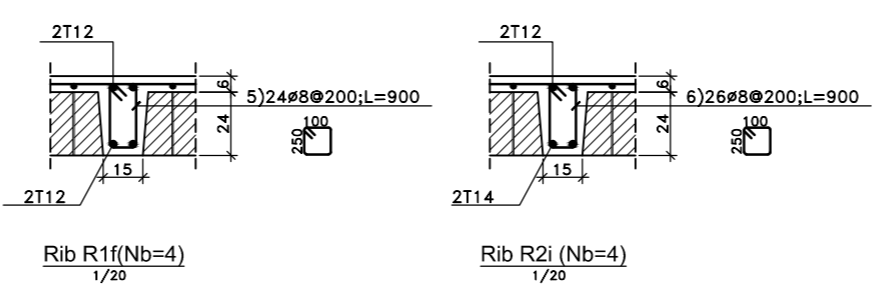
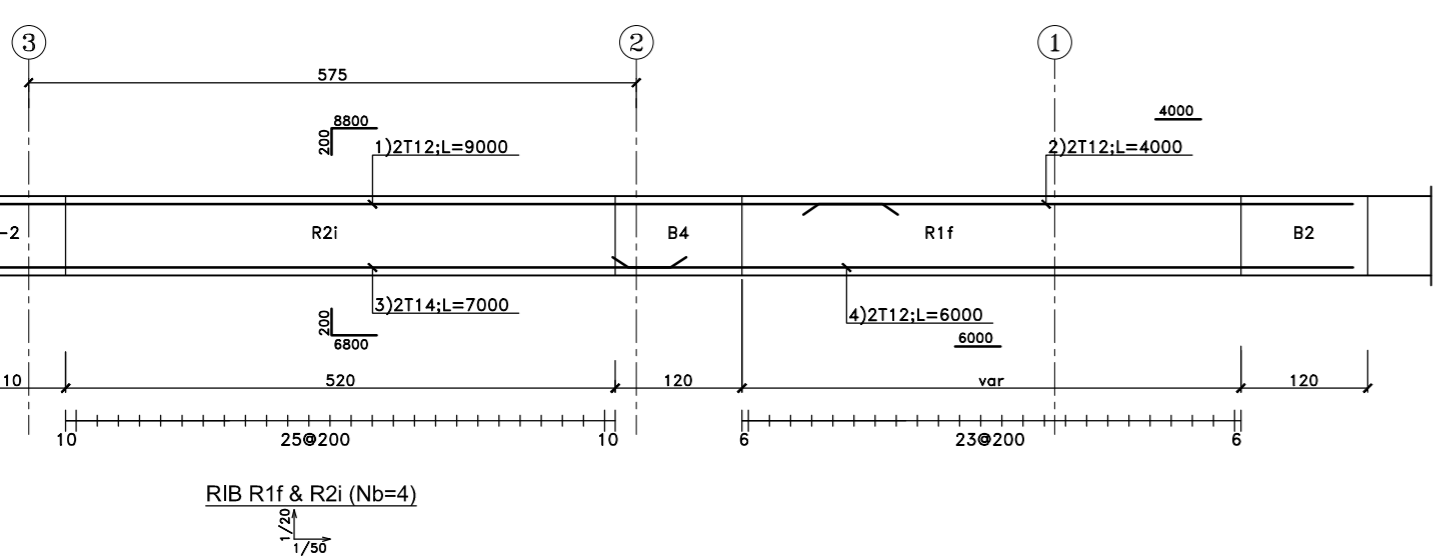
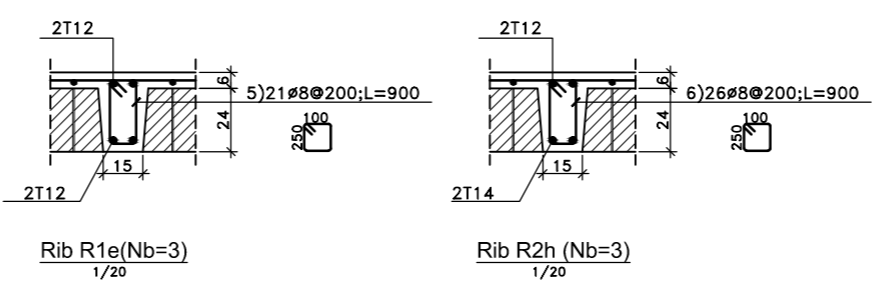
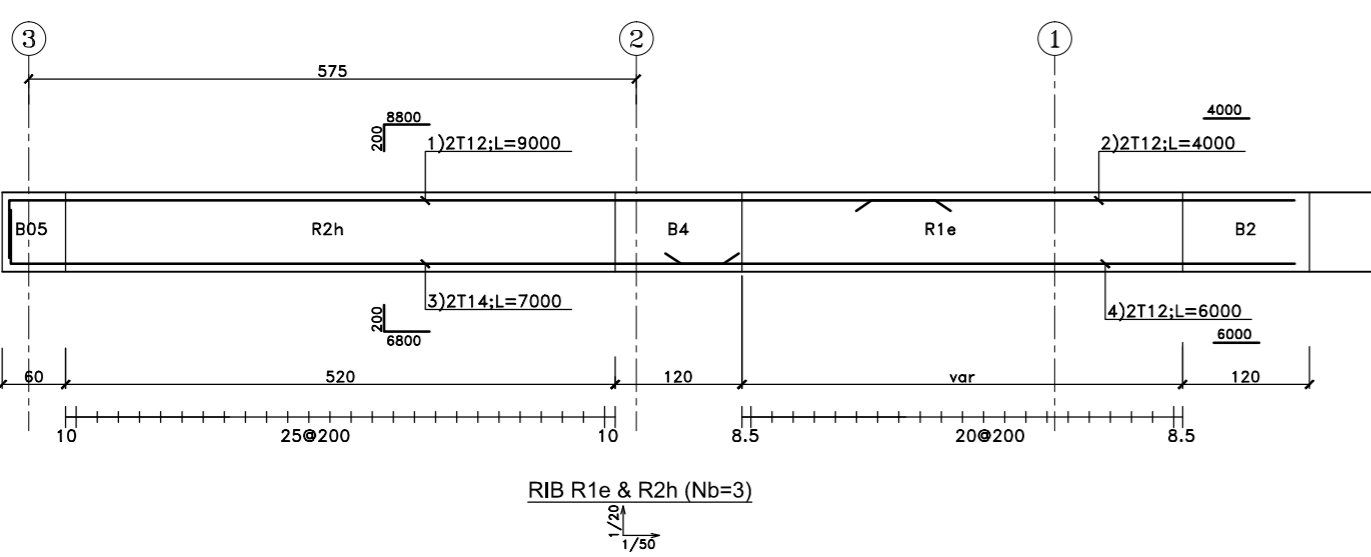
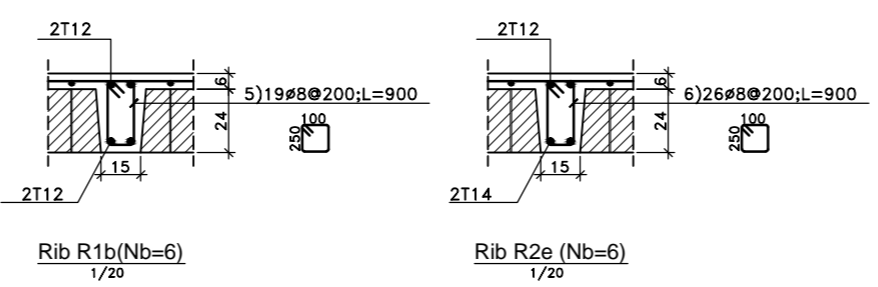
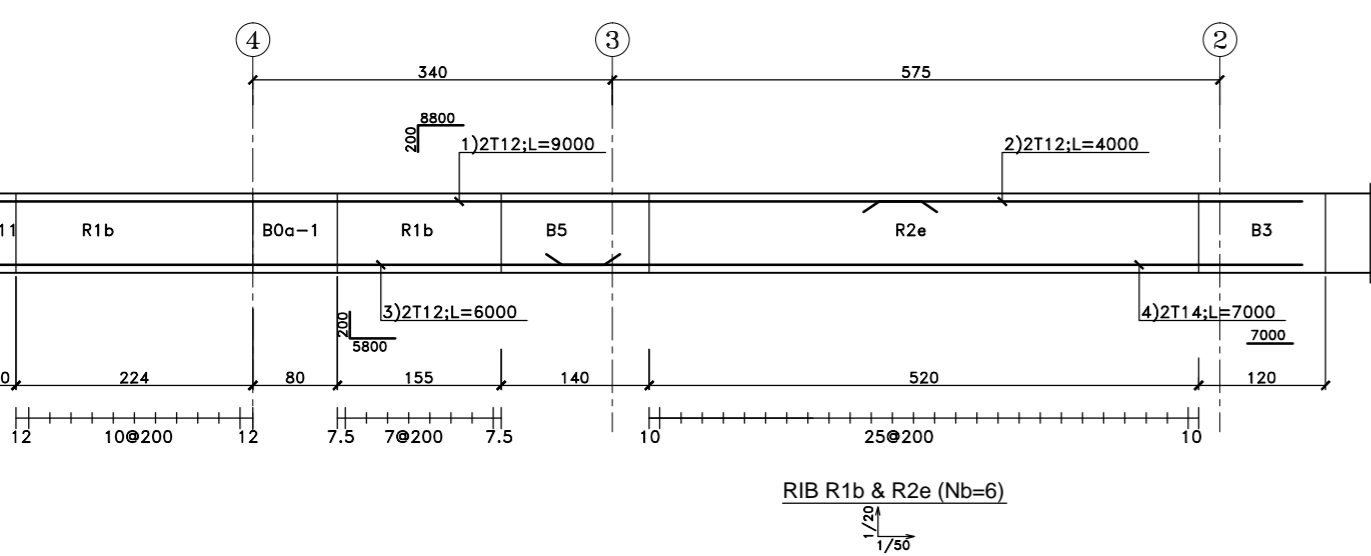
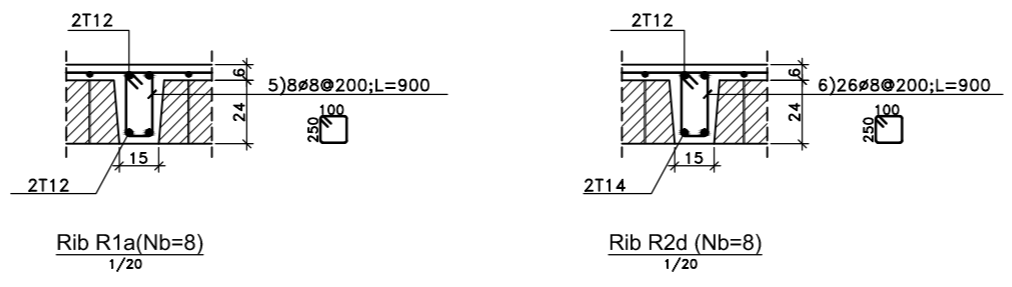
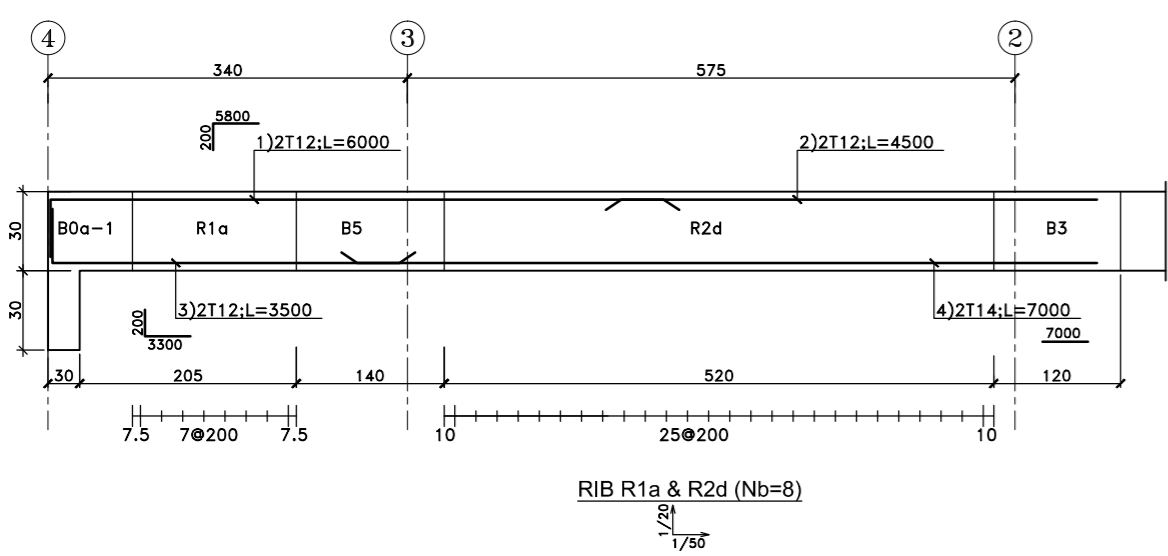
Contractor

 VERTEXGROUP.COM.CO
 Tripoli-Maarad-MEA Bldg-10th floor
 Tel : 06-205 504

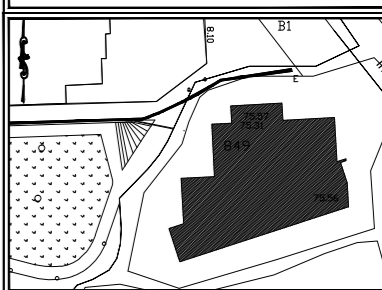
NOTES
 1- concrete cover for slab 2.5cm
 2- compressive strength at 28days
 $f_{c28}=250\text{kg/cm}^2$
 3- yield strength is 4200kg/cm2

rev	description	drawn by	verified by	date

PROJECT:
RAHMEH SCHOOL BUILDING
 PHASE: Shop Drawing
 DRAWING NUMBER & TITLE: S502-C
GROUND FLOOR SLAB BEAMS DETAILS
 Dwg. Reference: Revision Number : 1
 Format Scale Revision Issue Date :
 A1 - 25-04-2012



RAHMEH SCHOOL PROJECT



Consultant:
FAST & ASSOCIATES s.a.r.l.
 MOBILE PHONE : + 961-(0)3-443141
 TELEPHONE / FAX : + 961-(0)6-411621
 + 961-(0)6-412621
 E-MAIL : info@fast-associates.com
 c.fatfat@fast-associates.com

Structural designer:

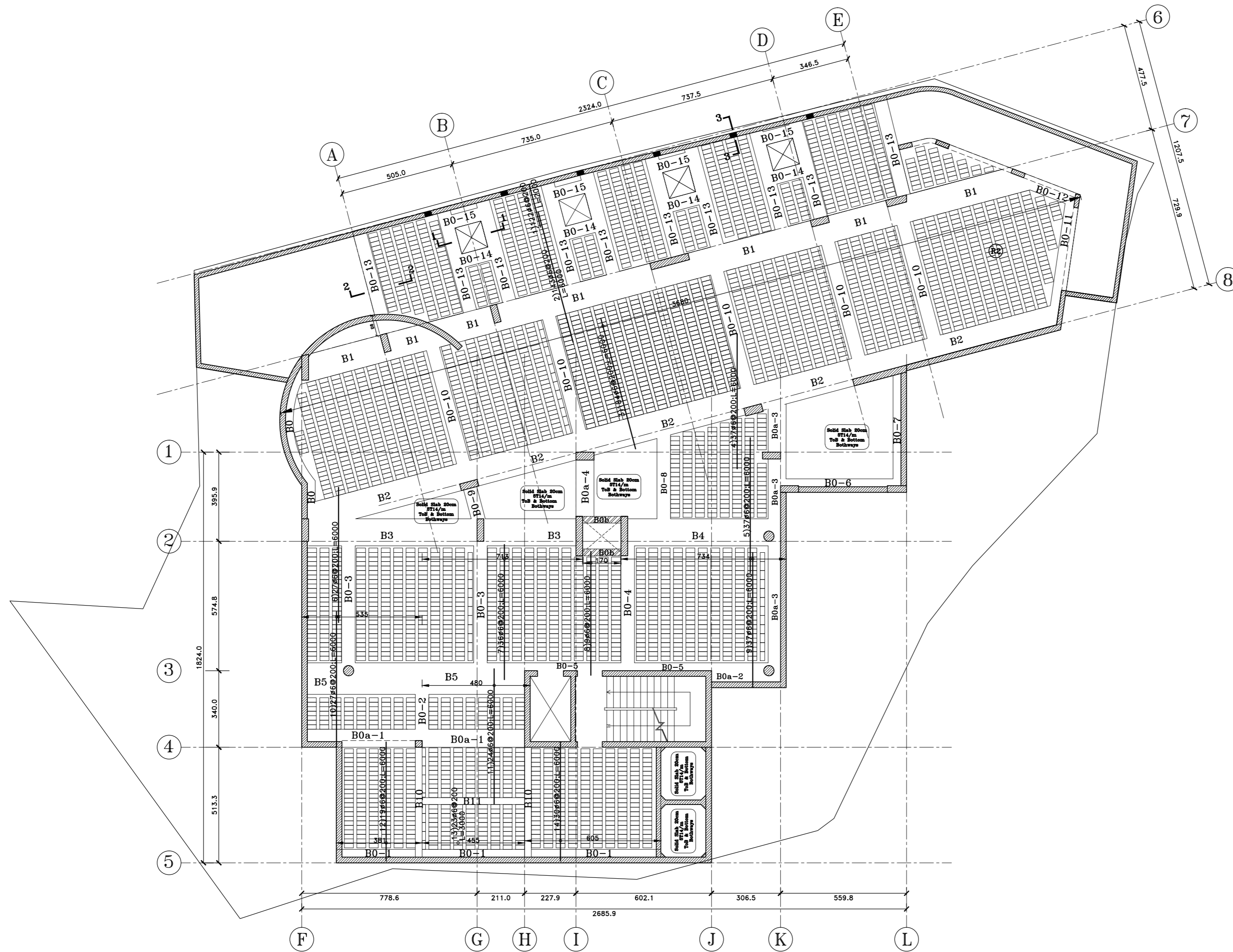
 Civil Engineer : Haytham Fouad Mawlawy
 Tripoli-Maarad-Obeid Center-CR floor
 Tel : 03-450733 Fax : 06-411621
 e-mail : h_mawlawi@hotmail.com

Contractor

 VERTEXGROUP.COM.CO
 Tripoli-Maarad-MEA Bldg-10th floor
 Tel : 06-205 504

NOTES

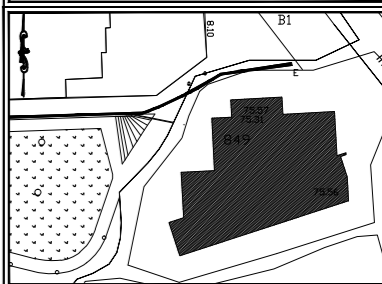
- 1- concrete cover for slab 2.5cm
- 2- compressive strength at 28days
 $f_{c28}=250\text{kg/cm}^2$
- 3- yield strength is 4200kg/cm²



rev	description	drawn by	verified by	date

PROJECT:
RAHMEH SCHOOL BUILDING
 PHASE: Shop Drawing
 DRAWING NUMBER & TITLE: S502-D
**GROUND FLOOR SLAB
 TOPPING-Y DIRECTION**
 Dwg. Reference: Revision Number : 1
 Format Scale Revision Issue Date :
 A1 - 25-04-2012

RAHMEH SCHOOL PROJECT



Consultant:
FAST & ASSOCIATES s.a.r.l.
 MOBILE PHONE : + 961-(0)3-443141
 TELEPHONE / FAX : + 961-(0)6-411621
 + 961-(0)6-412621
 E-MAIL : info@fast-associates.com
 : c.fatfat@fast-associates.com

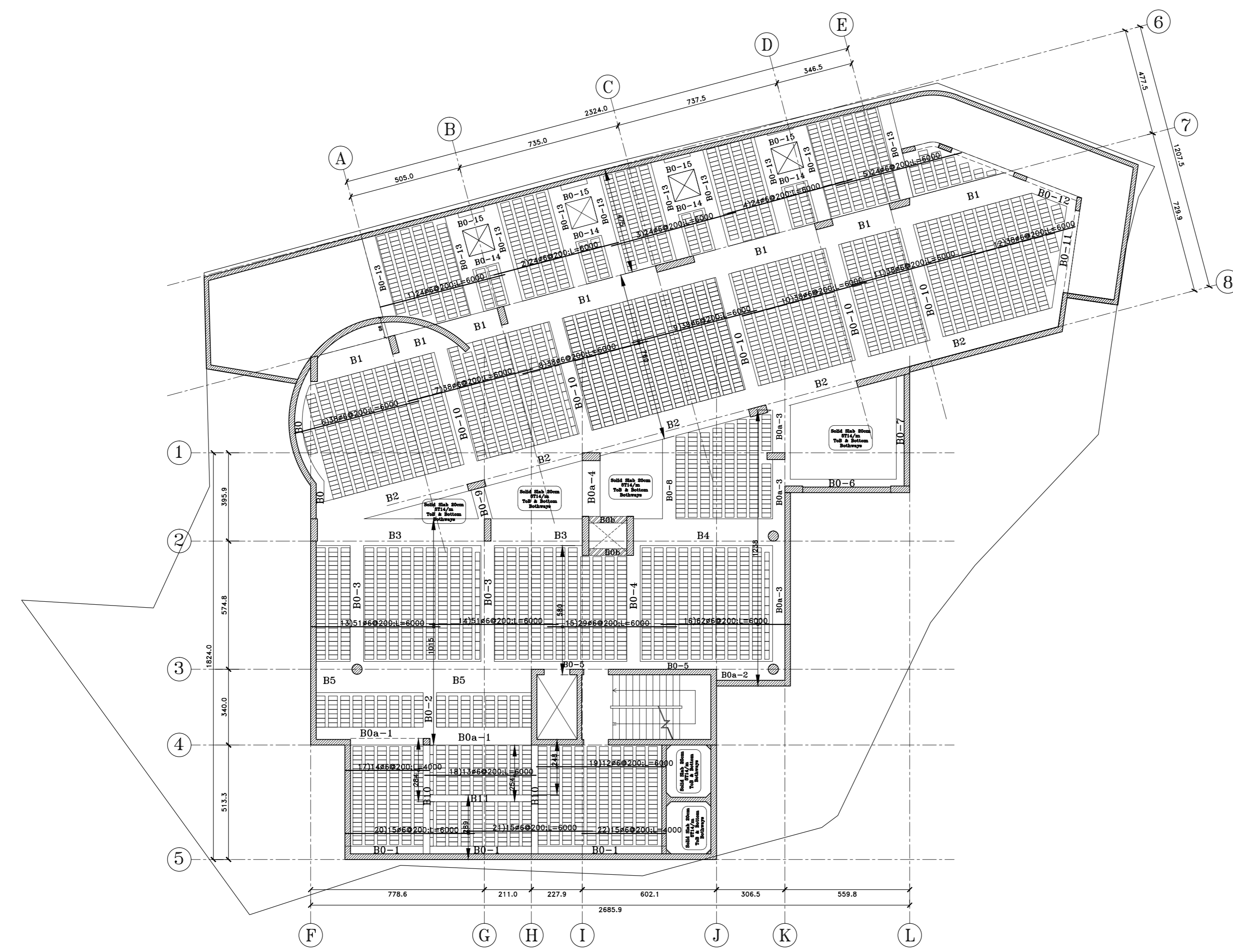
Structural designer:

MEC ENGINEERING
 W. Y. W. Y.
 Civil Engineer : Haytham Fouad Mawlawy
 Tripoli-Maarad-Obeid Center-CR floor
 Tel : 03-450733 Fax : 06-411621
 e-mail : h_mawlawi@hotmail.com

Contractor

vertex group
 VERTEXGROUP.COM.CO
 Tripoli-Maarad-MEA Bldg-10th floor
 Tel : 06-205 504

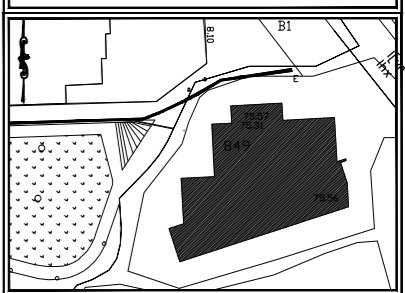
NOTES
 1- concrete cover for slab 2.5cm
 2- compressive strength at 28days
 fc28=250kg/cm2
 3- yield strength is 4200kg/cm2




rev	description	drawn by	verified by	date

PROJECT:
RAHMEH SCHOOL BUILDING
 PHASE: Shop Drawing
 DRAWING NUMBER & TITLE: S502-E
**GROUND FLOOR SLAB
 TOPPING-X DIRECTION**
 Dwg. Reference: Revision Number : 1
 Format Scale Revision Issue Date :
 A1 - 25-04-2012

RAHMEH SCHOOL PROJECT



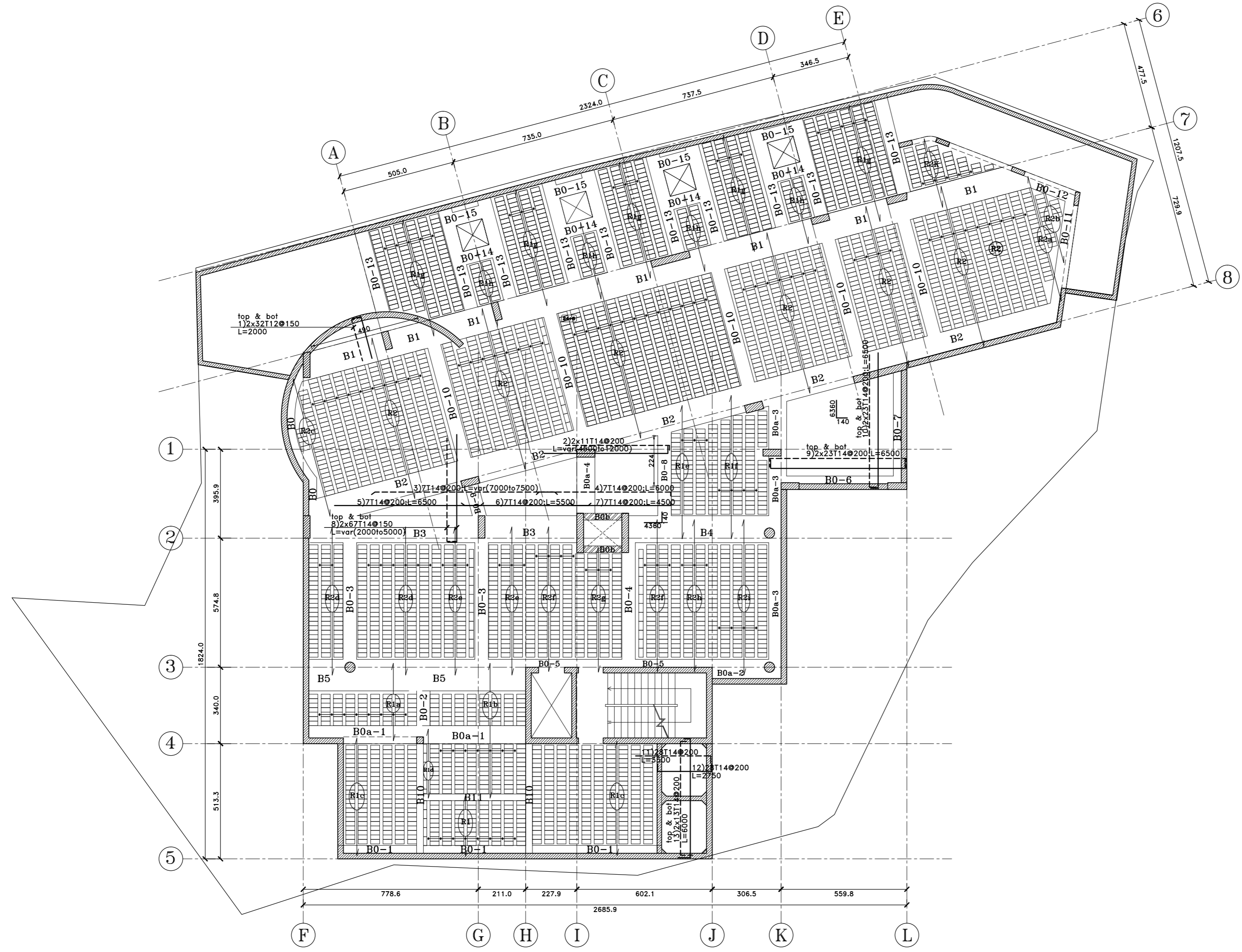
Consultant:
FAST & ASSOCIATES s.a.r.l.
 MOBILE PHONE : + 961-(0)3-443141
 TELEPHONE / FAX : + 961-(0)6-411621
 + 961-(0)6-412621
 E-MAIL : info@fast-associates.com
 c.fatfat@fast-associates.com

Structural designer:

 Civil Engineer : Haytham Fouad Mawlawy
 Tripoli-Maarad-Obeid Center-CR floor
 Tel : 03-450733 Fax : 06-411621
 e-mail : h_mawlawi@hotmail.com

Contractor

 VERTEXGROUP.COM.CO
 Tripoli-Maarad-MEA Bldg-10th floor
 Tel : 06-205 504

- NOTES**
- 1- concrete cover for slab 2.5cm
 - 2- compressive strength at 28days
 $f_{c28}=250\text{kg/cm}^2$
 - 3- yield strength is 4200kg/cm2



rev	description	drawn by	verified by	date

PROJECT:
RAHMEH SCHOOL BUILDING
 PHASE: Shop Drawing
 DRAWING NUMBER & TITLE: S502-F
GROUND FLOOR SLAB
SOLID SLAB
 Dwg. Reference: Revision Number : 1
 Format Scale Revision Issue Date :
 A1 - 25-04-2012